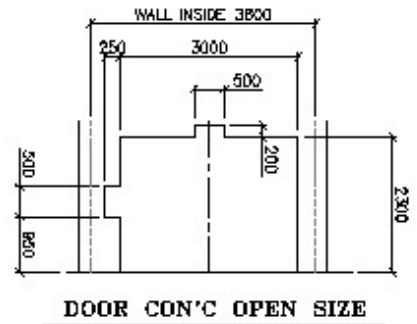
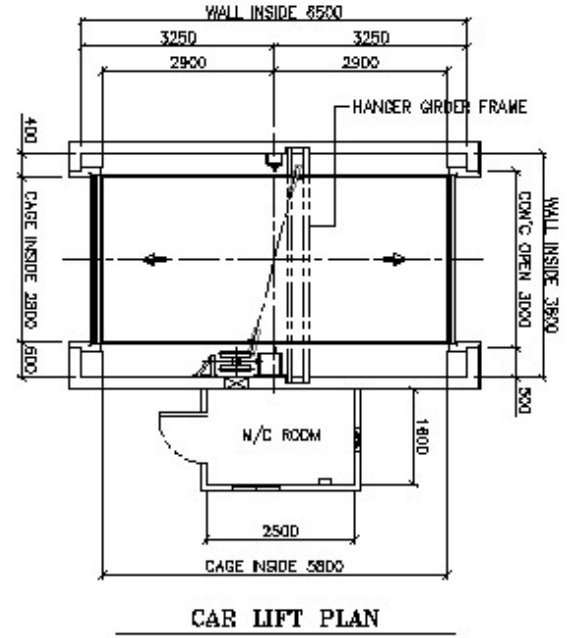
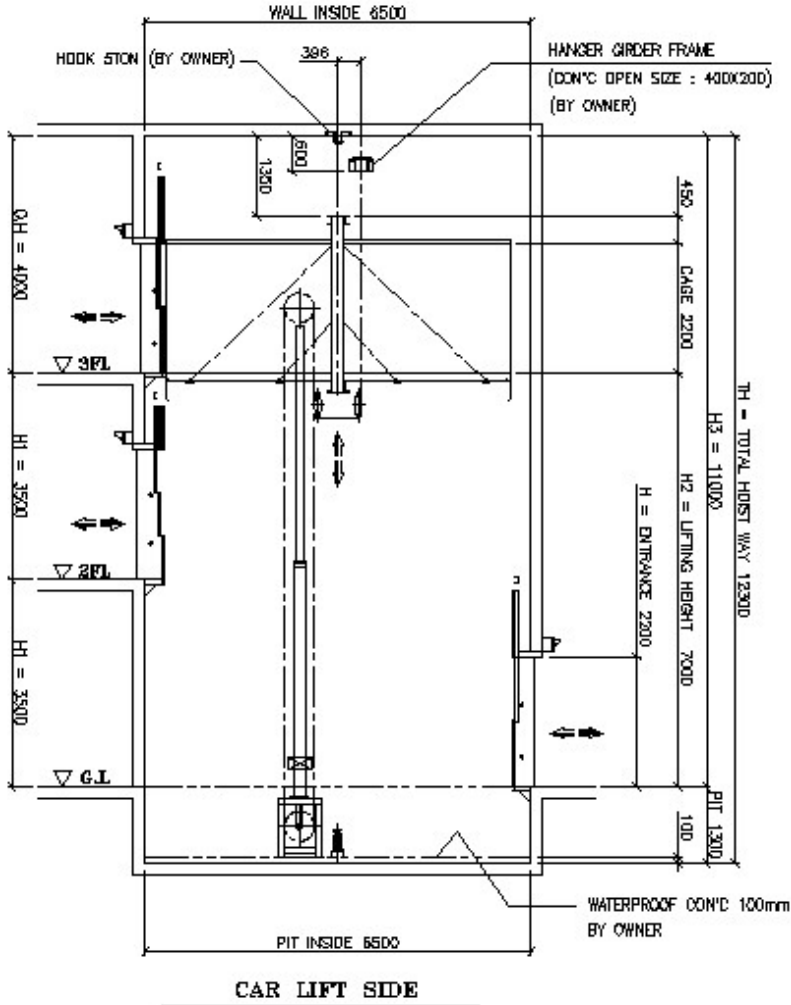
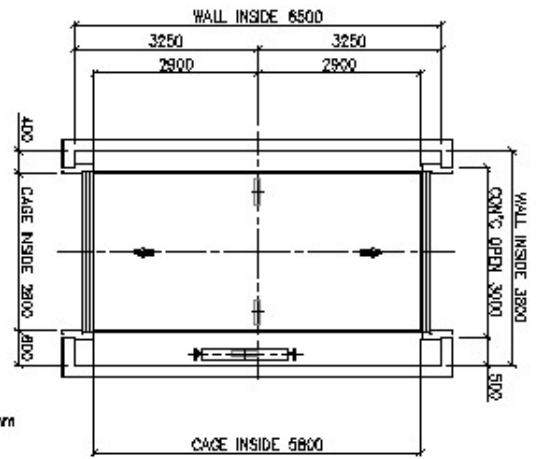
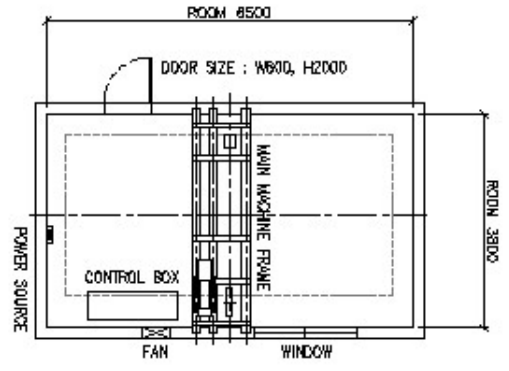
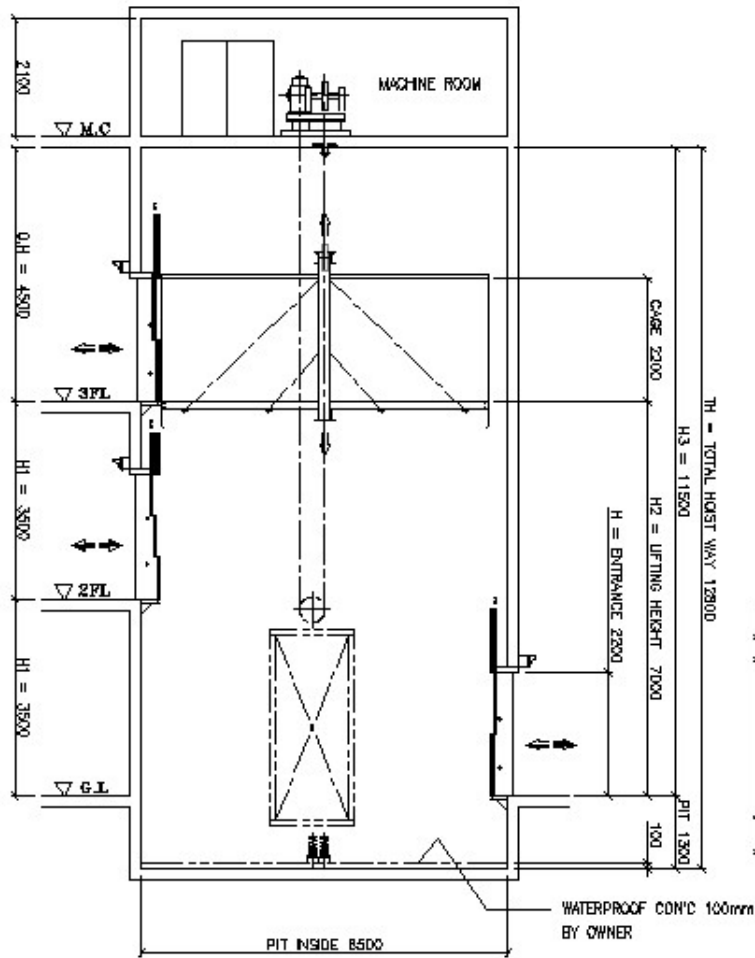


CAR LIFT
HYDRAULIC TYPE



UNIT : (mm)

WIRE ROPE TYPE



UNIT : (mm)